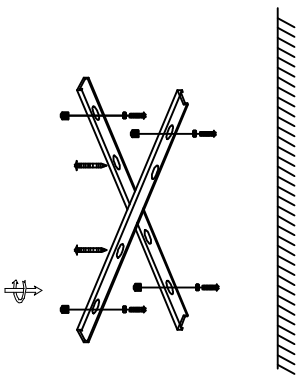
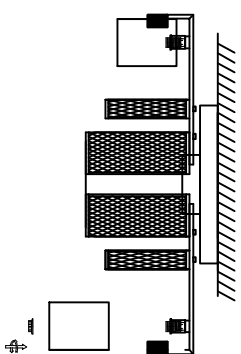


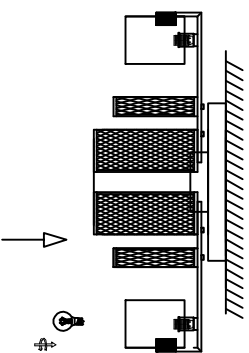
1



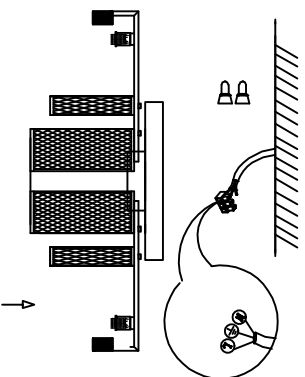
4



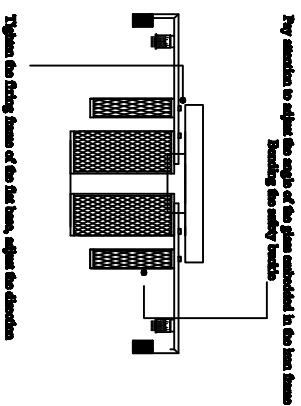
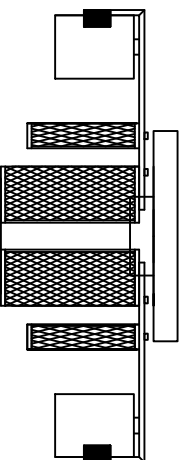
5



3

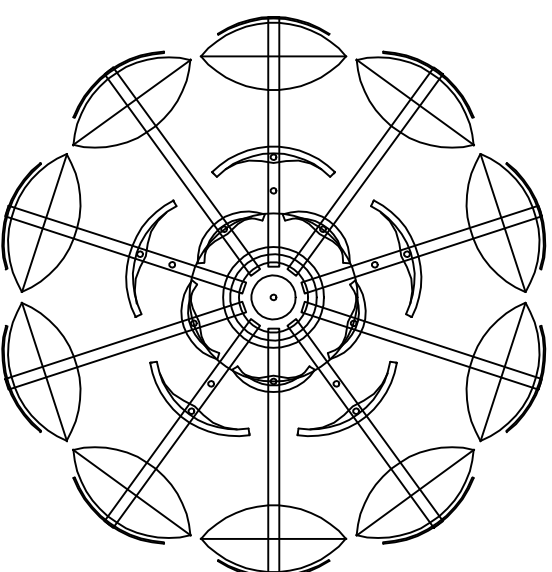
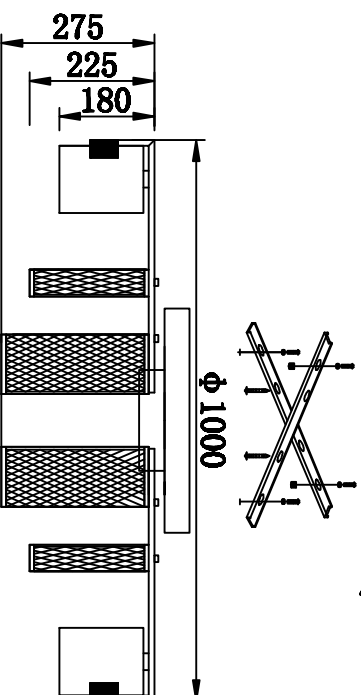


6



Pay attention to adjust the angle of the glass embedded in the iron frame. Rotating the safety handle. Tightly the locking frame of the iron frame, adjust the direction

# MODEL: 4316/PL



- 1、 Handmade Glass A 5pcs
- 2、 Handmade Glass B 5pcs

### Safety precautions:

1. This product is not covered by the standard safety standard IEC60598-1:2008.
2. This product is not covered by the standard safety standard IEC60598-1:2008.
3. The glass should be replaced by a professional technician.
4. After installation is completed, please check the glass angle and the light is arranged. It should be replaced immediately.

